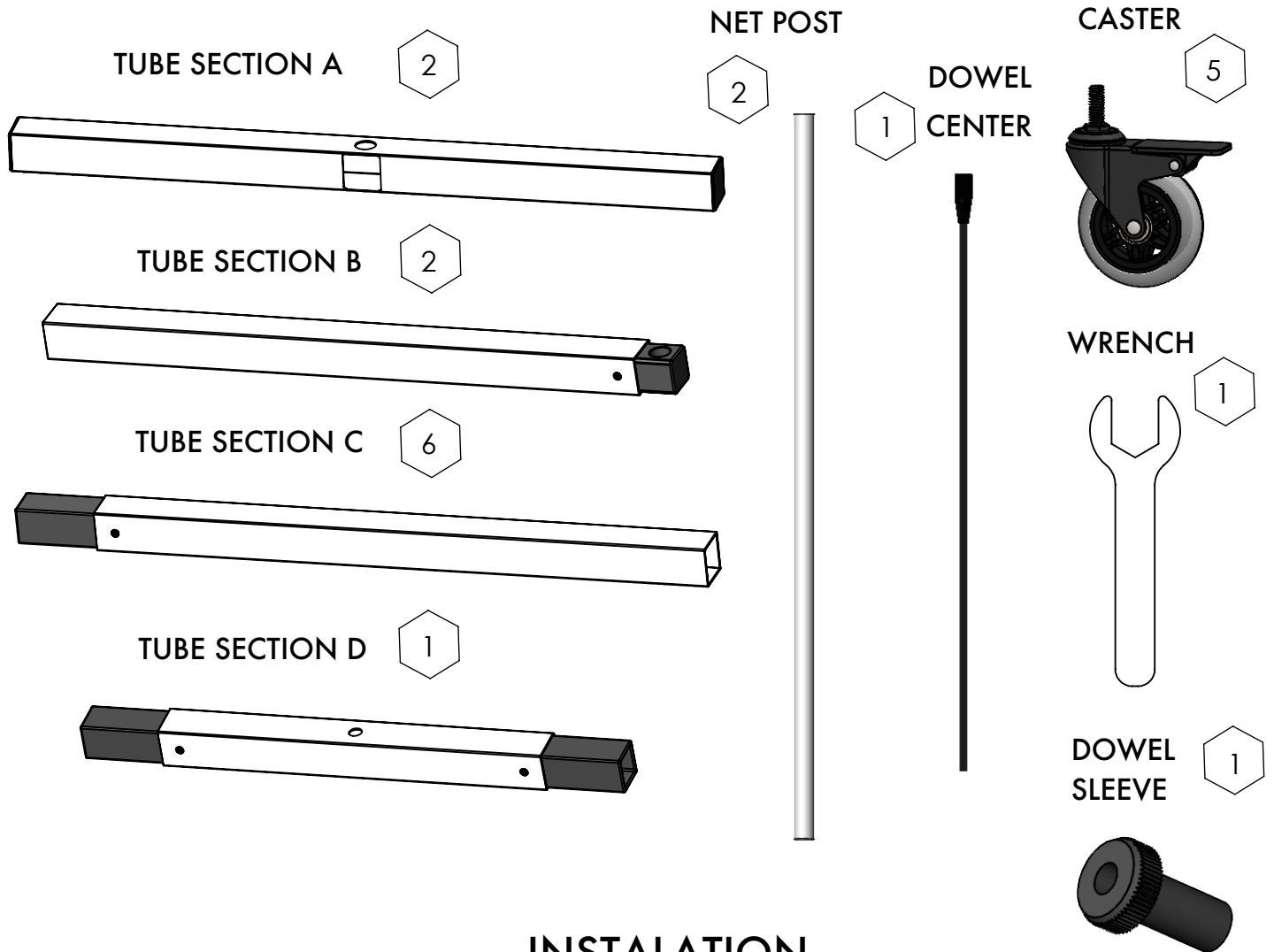
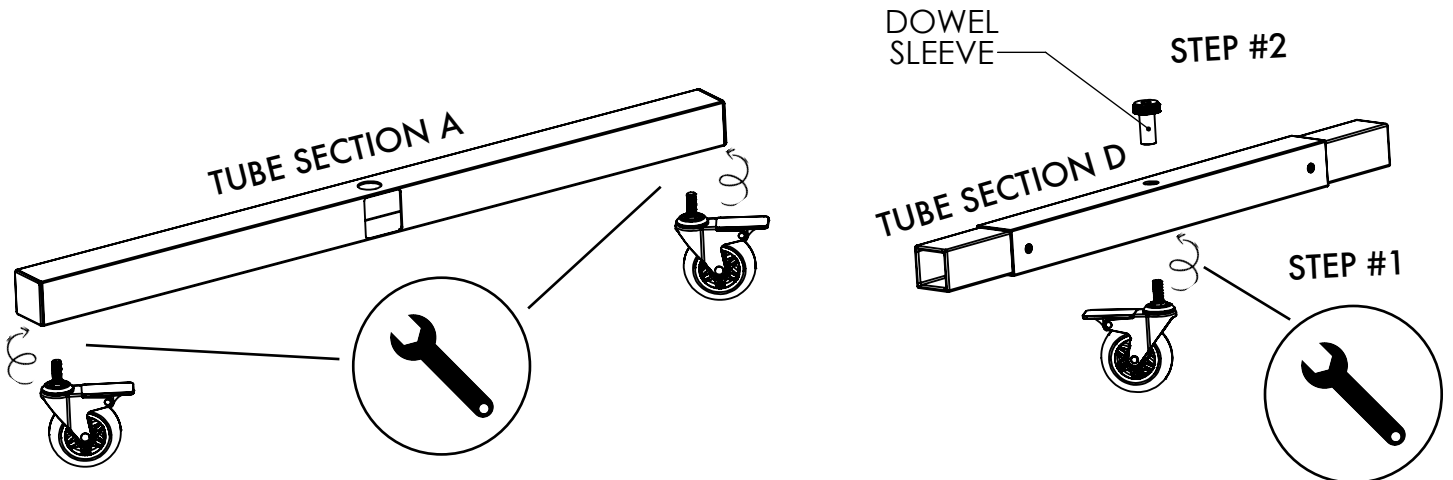


# DOMINATOR

## ROLLING PICKLEBALL NET COMPONENTS



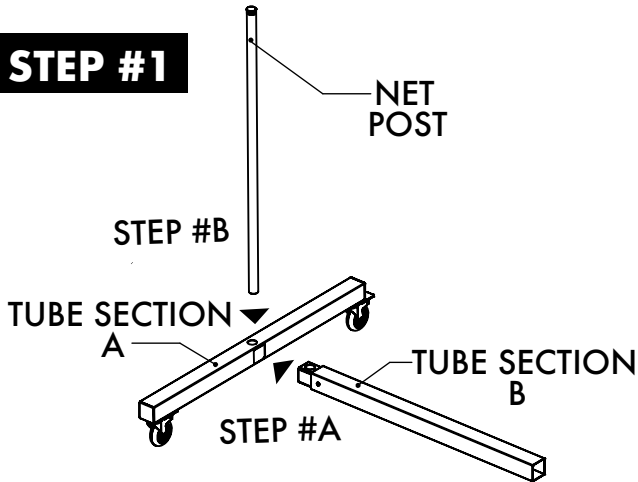
### INSTALATION



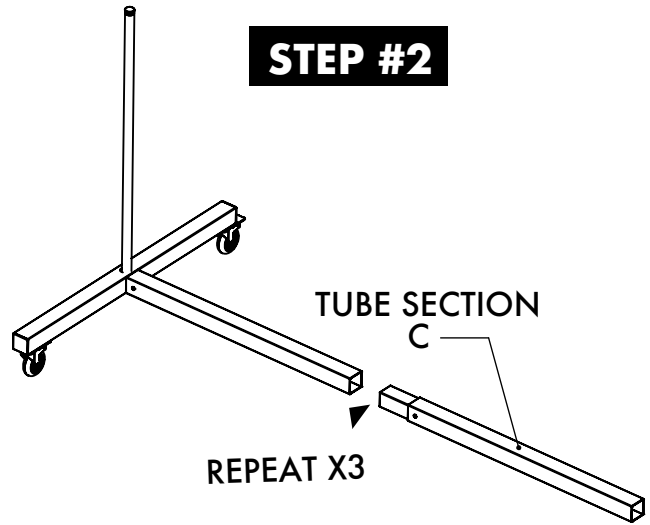
# DOMINATOR

## ROLLING PICKLEBALL NET ASSEMBLY

### STEP #1

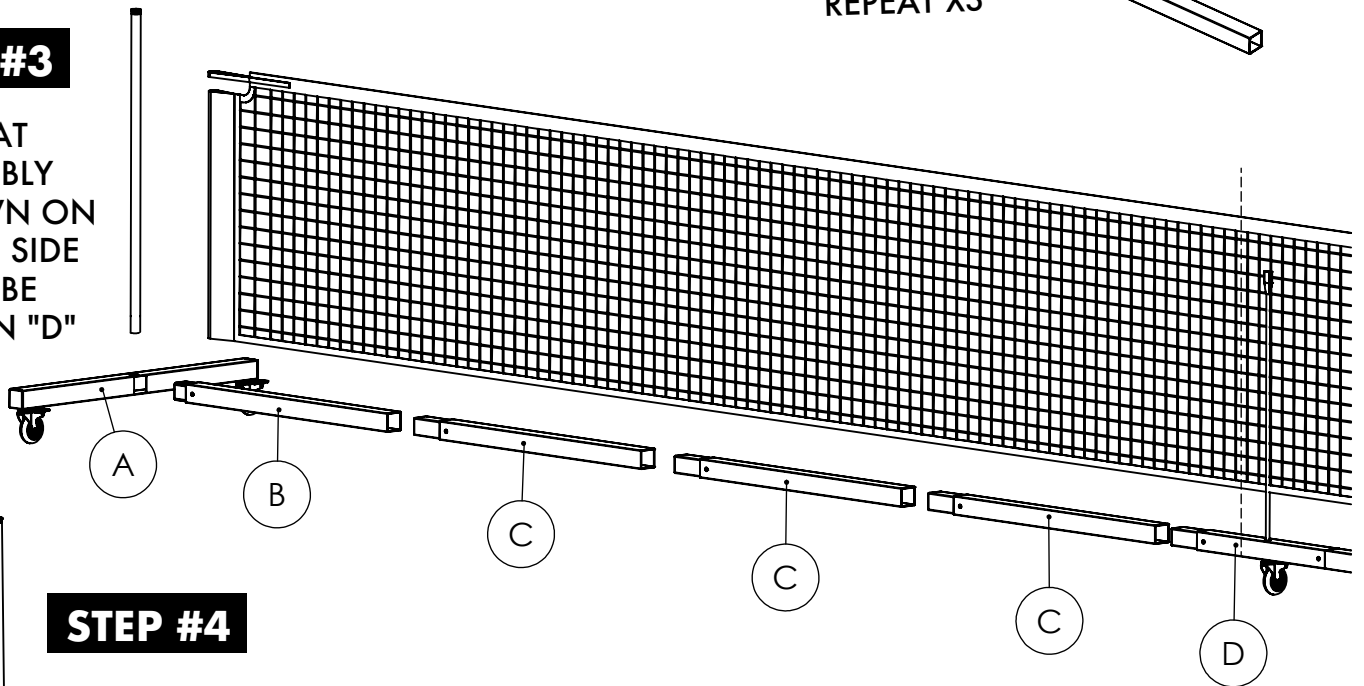


### STEP #2



### STEP #3

REPEAT ASSEMBLY AS SHOWN ON OPOSITE SIDE OF TUBE SECTION "D"



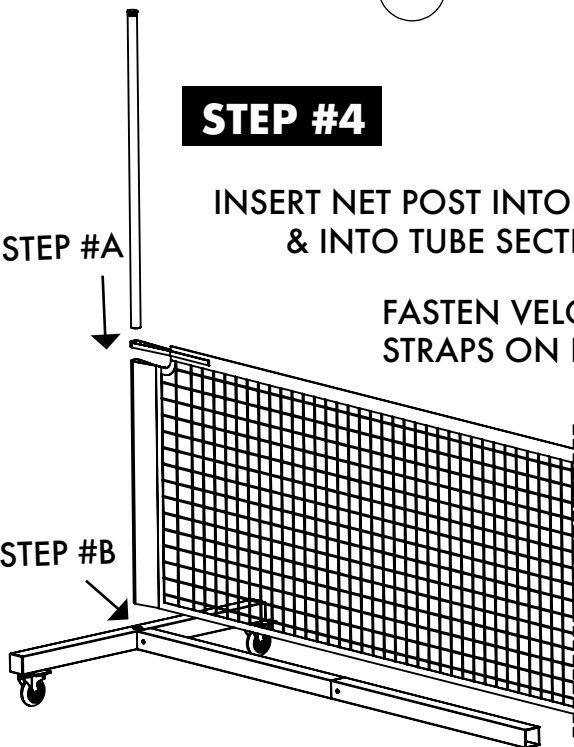
### STEP #4

INSERT NET POST INTO NET SLEEVE & INTO TUBE SECTION A.

FASTEN VELCRO STRAPS ON BOTH SIDES

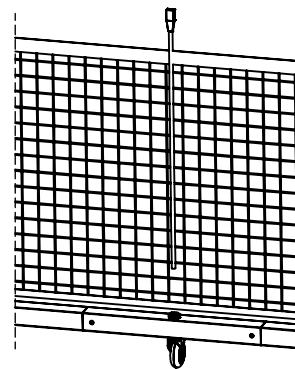
STEP #A

STEP #B



### STEP #5

INSERT CENTER DOWEL INTO DOWEL SLEEVE IN TUBE SECTION D



\*\*\*YOU MIGHT HAVE TO ANGLE THE SECOND NET POST TO GET LEVERAGE TO INSERT INTO THE TUBE SECTION A.