

SwiftNet™ Installation Instructions - v2.1

Thank you very much for purchasing a SwiftNet™. The CRTC is the manufacturer of the SwiftNet™ and we truly appreciate your business. We are a 501(c)3 not for profit that is working to do our part to help keep 50 million pounds of carbon fiber scrap from going into landfill globally. We take carbon fiber that would normally go into a Boeing 777X or 787 jetliner, and we repurpose it into cool products that we design and sell that help to improve people's lives. In manufacturing these products here in Port Angeles, WA we provide employment to those who need a hand up. Your purchase of the SwiftNet™ helps to keep people employed, so we are very grateful.

Safety: Please be very certain to only put the Tensioning Boom in the Netting when the Netting is lying **flat** on the ground. **Never** try to insert the Boom into the Netting Top End Caps with the Netting standing up. Doing so would require placing the Boom under tension by hand, which could result in possible injury.

Warranty Registration: Before you forget, please go to www.CRTC-WA.org and register your unit for warranty. Select “Pickleball” from the menu at the top and then select “Warranty” (if using your phone, the menu will be on the top left – click the down arrow next to Pickleball). It takes less than 2 minutes to register.

The SwiftNet™ consists of the following components:

- 1 - Center Net Support (shaped like an “A – in the zippered pouch of the carry bag) - “**Net Support**” - **A**
- 1 - Carbon Fiber Tensioning Boom with shock cord (8 sections corded together) - “**Boom**” - **B**
- 2 - Base Stands (interchangeable for left or right side) with Post Adapter - “**Base Stand**” - **C**
- 1 - Netting with 2 Posts attached - “**Netting**” - **D**
- 1 - Allen Wrench - **E**
- 2 - Post Adapters - **F**
- 4 - Tall Base Stand Pads - **G**

We suggest laying them out just like the picture below for easy reference:

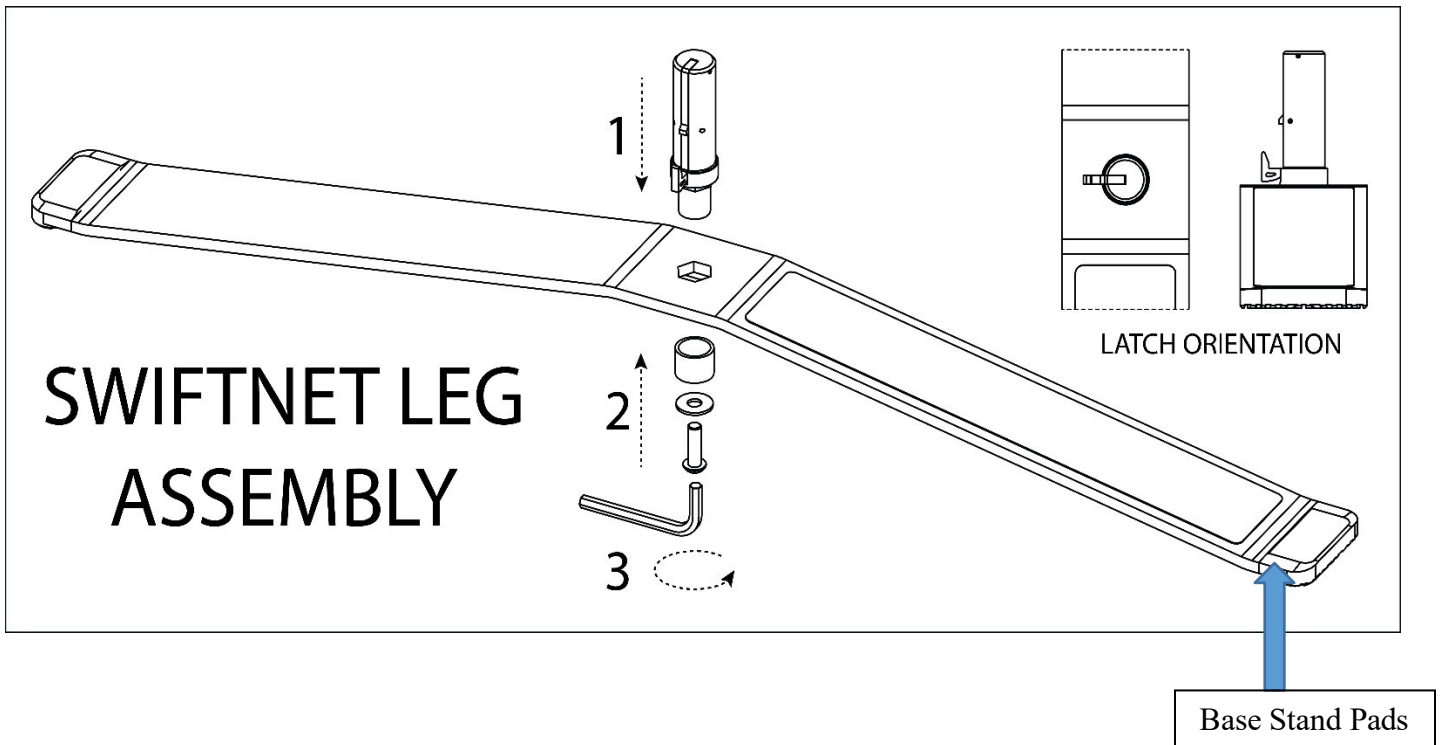


Step 1: Open the Carry Bag

Open the carry bag and remove the contents and set them on the court for easy access.

Step 2: Set up the Base Stand – Attach Post Adapter

Unpack the two Base Stands (C). Insert one black post adapter (F) into each foot and tighten with the Allen wrench provided (E). Position each base stand on either side of the court when finished. The taller base stand pads (G) can be used if playing on dirt or to raise the net. Otherwise keep the shorter pads on the Base Stand at all times.



Step 3: Unroll Netting

Unroll the Netting (D) fully and place the bottom of each Post near the Post Adapter of each Base Stand. Make sure the Red or Black Net Tightening Cord that is on top of each Top End Cap, is loosened and free.



Step 4: Assemble Shock Corded Tensioning Boom

Assemble the Boom (B) fully into one long pole by inserting one section of the Boom into the next until it is completely assembled. The Boom is put together just like a tent pole. With the Netting and Boom lying on the ground, insert one end of the Boom under the Red or Black Net Tightening Cord and slide it into the receiving end of the Top End Cap of the Post located on either side of the Netting. It is important to make sure the Red or Black Net Tightening Cords are above the Boom before you insert the Boom into the Top End Cap, or otherwise the netting can get twisted. Do the same to attach the Boom to the Top End Cap on the other side of the Netting.



Step 5: Attach End Posts to Base

Take the Netting with one of the End Posts with the Boom already inserted and slide it down over the black Post Adapter of the Base. Orient the post so that the connection hole in the Post is right above the little knob that sticks out from the Post Adapter on the Base Stand. Push in the metal lever to retract the knob and slide the post down over the knob until it engages in the hole of the post. Rotate the post slightly if the knob does not engage the hole at first. Once you do one Base Stand, now do the same to the other Base Stand.

Step 6: Tighten Net & Attach Center Net Support

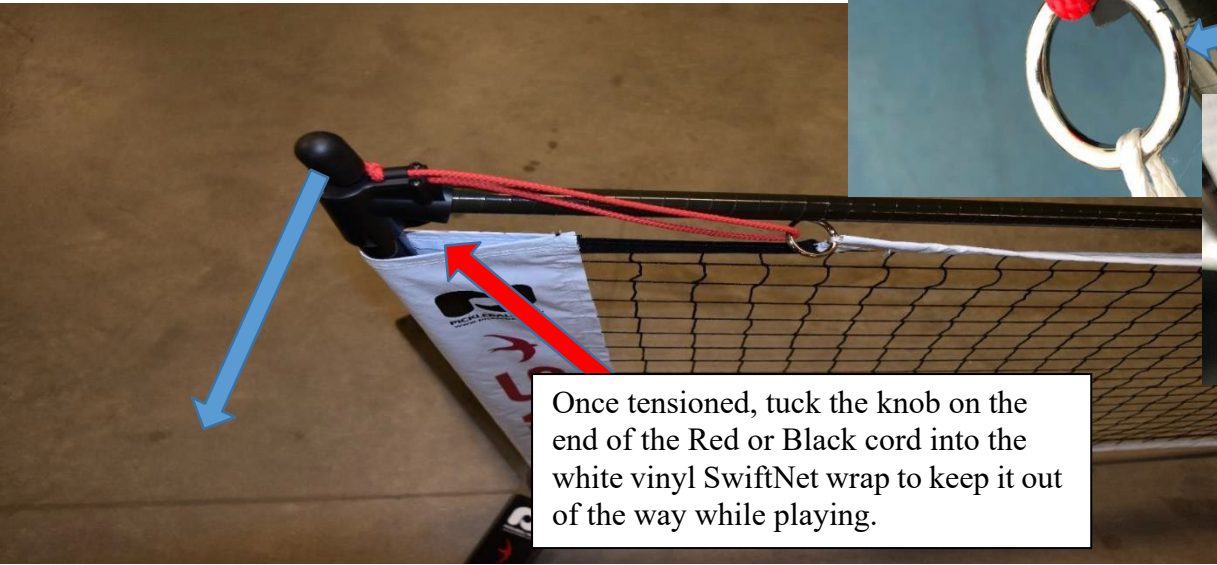
Tighten the Netting by pulling the Red or Black Tensioning Net Cord straight down through the cam mechanism in the Top End Cap on both sides of the Netting (be sure to pull the cord down through the teeth to lock the Red or Black cord in place). You will see the Boom gets forced downward as you pull the Red or Black Net Tensioning Cord downward. Do so until the center of the Boom is a few inches above the surface of the court.

Take the one Center Net Support (A) and clip it to the center of the Boom pointing down to the ground. Making sure the Center Net Support is not caught in the Netting, and the bottom of the Net Support is pointed downward, resume tensioning the Net Cord until the bottom of the Net Support is firmly seated on the court like what is shown in the below picture. Please note that over-tensioning the top cord could cause one or both of the Base Stands to lift off the court making the system unstable. The ideal tension is the point just past where the Boom brings the Center Net Support firmly into contact with the court.



Be sure to rotate ring to avoid having the Red or Black cord rub over the split area of the ring. Running over any burrs or rough spots in the ring could prematurely fray the Red or Black cords. The picture below shows the correct ring position.

Pull the Red or Black cord straight down through the cam mechanism so the teeth grab the cord per the blue arrow below. Do not run the Red or Black cord over the top of the teeth and then down as it will prematurely age the cord.



Once tensioned, tuck the knob on the end of the Red or Black cord into the white vinyl SwiftNet wrap to keep it out of the way while playing.

Step 7: Adjust Center Height

Take the Velcro Center Strap that is attached to the center of the Netting and bring it under and around the Boom. Bring the end of the strap up to the tip of the red mark on the strap and attach the Velcro. Measure the net height in the center and adjust the Velcro strap if needed to achieve the needed 34" from the ground to the top of the center of the net.



Step 8: Adjust Outside Height

Measure the height on either end of the Netting one foot in from the post. If the Netting is properly tensioned, this will measure 36". If this measures slightly lower than 36", you can swap out the pads that are covering the end of each base stand with the taller Base Stand pads (G).



That's it! You are ready to play the great game of pickleball.

Thank you very much for using the SwiftNet™! We very much appreciate your business.

SwiftNet™ Disassembly Instructions

Safety: Never try to remove the Boom from the Netting while it is under tension. Serious injury could result. Always be certain to fully release the Red or Black Tensioning Net Cord from both of the Top End Caps before attempting to take the net apart.

Step One: Release Tension

Lift the Red or Black Net Tension Cord straight up on both of the Top End Caps so that it is released from the tensioning mechanism. Be sure to lift the cord straight up as dragging it over the top of the gears in the top cap can cause premature aging of the cord. Do this until the tension is fully released like the picture below. Now do the same on the other side. The Boom should now be straight and no longer under tension.



Step Two: Remove Center Stand Support

Remove the Center Stand Support (A) from the middle of the Boom and place it back in the zippered pouch of the carry bag for safe keeping.

Step Three: Undo the Center Strap

Loosen the Center Strap on the Netting by pulling the Velcro end apart.

Step Four: Separate the End Posts from the Assembly

After the tension has been fully released from the system, separate the Netting and End Posts from the Support Base by pressing in the lever on the post adapter and pulling the post straight up. Lay the Netting and Boom on the ground with the Boom still inserted in both Top End Caps of the End Posts.

Step Five: Disassemble Boom

Now that all the tension has been released from the Boom and the Boom is lying flat on the court, pull the Boom out from the Top End Cap on each end of the Netting. Separate each section of the Boom from the other and place it in a bundle in the bottom of the carry bag.

Step Six: Gather the Netting

- a. Ensure that the Red or Black cords are tucked into the vinyl wrap.
- b. Fold the net in half lengthwise per the picture below. The netting can either be rolled up or you can gather sections on a 45-degree angle as you pull the netting towards the posts as you gather it up like a fan. The fan method makes the netting less likely to get tangled. If you choose to roll up the netting, pick up the end with the two Posts and begin rolling the netting around the Posts by holding the Posts up in the air and letting the Netting dangle below. Gravity will pull the Netting down which will help keep the Netting from twisting as you roll it up. You can also have a 2nd person hold the netting to keep tension on it while the other person rolls. Once the Netting is gathered together, you can place it back in the carry bag.



Note the tangle of the Red or Black cord because the cord was not properly tucked into the vinyl wrap before rolling.



Twisted Cord:

Note – be careful as you are rolling the Netting not to get the Red or Black cord looped over the post. If so, you will see a twist in the Red or Black cord that will cause the top tape to flop over. You can avoid this by tucking the red or black tensioning cords into the white vinyl wrap before rolling or unrolling the net as described above. If you have a twist, you can fix this by loosening the tension and untying the Red or Black cord from the ring, taking out the twist and retying the cord through the metal ring.

This is how the Red or Black cord should look when threaded through the ring correctly:



If it becomes twisted, it will look something like this and the top tape will flop:



If you fully loosen the tension on the cord and unlatch the pole from the support base, you can rotate the pole to undo the twist without having to retie the cord as shown in the picture below that shows a partial rotation of the pole and top cap assembly.



Step Seven: Pack the Base Stands

Pick up each Base Stand and pack them back in the zippered bag. You can use the Velcro straps that are in the bottom of the carry bag to secure the stands in the bag so they do not move around and bang into other components.

Spare Parts

Various spare parts for your SwiftNet™ are available on the CRTC website at: www.CRTC-WA.org Select “Pickleball” at the top right and then select “Store”.

If you need to attach a piece on any part of the system, please use the 2-part Urethane adhesive shown here (J-B Weld 50139). It is available on Amazon or at many hardware stores for about \$5.

If you need a part that is not listed on the website, please call us at 360-819-1210 or email dshillington@CRTC-WA.org.



Boom end caps



Top Cap



Base Stand



Boom shock cord



Boom Support



Boom bundle or pieces



Base Stand Pads



Pull cord



SwiftNet™ Limited Warranty

Registration

Please go to www.CRTC-WA.org and register your unit for warranty. Select “Pickleball” at the top right and then select “Warranty”.

Summary

All of the components of the SwiftNet™ system, with the exception of the items listed in the “What’s Not Covered” section of this document, are guaranteed against workmanship and/or manufacturer defects for a period of 1 (one) year from the date of purchase. The warranty is not transferable after registration and only applies to the original owner.

If the SwiftNet™ is found to be defective in workmanship and/or manufacturer defects within the 1 (one) year time period from the date of purchase, we will repair or replace the product.

What’s Not Covered?

The net system is designed to be a portable, temporary net system, and is not intended to be left up permanently in outdoor conditions. As such, reasonable normal wear and tear, damage caused by abuse, negligence, user modification, sun fade or the natural breakdown of materials caused by the elements, is not covered. Replacement parts shipped to the consumer under warranty are covered only up to the 1-year time period from the original purchase date of the system.

SwiftNet™ care

Use mild soap and water to clean. Do not use any solvents.

Note:

Product life will vary according to the assembly, disassembly, treatment, environmental conditions, and storage patterns of the individual user.